

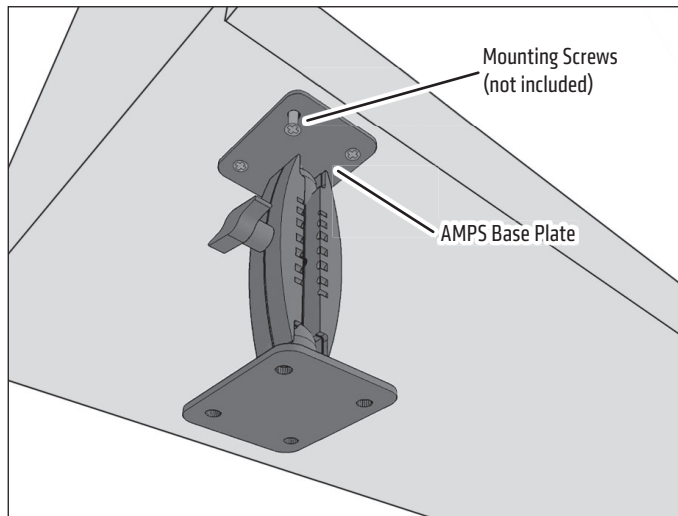


**RM2XAMPS-MET-SH**  
Robust Metal AMPS Mount  
with Security Hardware

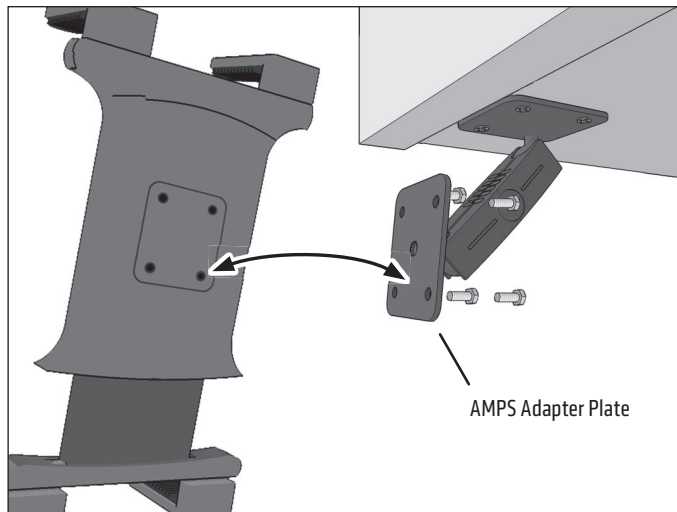
**Package Contents:**

**RM2XAMPS-MET-SH** – Robust Metal AMPS Mount with Security Hardware

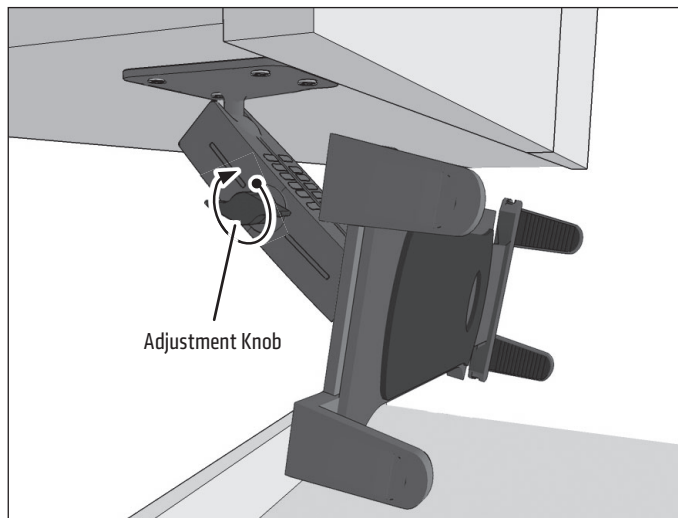
- 1 Attach the pedestal to the mounting surface through the AMPS base plate. Choose the screws (not included) that will work best on the chosen mounting surface.



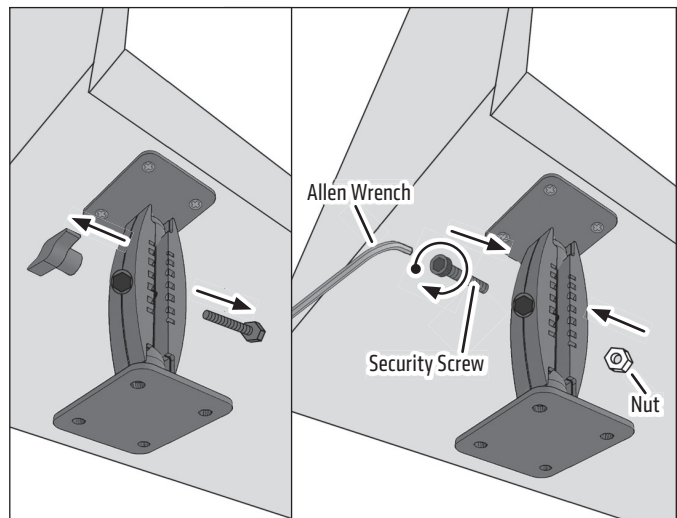
- 2 Attach any AMPS-compatible device, holder, or adapter (not included, sold separately) to the AMPS adapter plate.



- 3 To adjust pedestal position, loosen the adjustment knob and reposition. Retighten to set.



**Optional:** To install security hardware: 1) Remove the adjustment knob and bolt. 2) Insert security screw and attach nut. 3) Tighten with Allen wrench.



**Safety Precautions**

Do not install Arkon products over an air bag cover or within the air bag deployment zone. Arkon Resources, Inc. assumes no responsibility of liability for injury or death as a result of car crashes and / or air bag deployment.

Arkon is not responsible for any damages caused to your vehicle, your device, or yourself due to the installation or use of this mount.

**ARKON MOUNTS**

Consumer Hotline:

USA (800) 841-0884

INT'L (626) 254-9005

Monday - Friday 9am - 5pm, PST

[www.arkon.com](http://www.arkon.com)

Arcadia, CA 91006 USA

Designed in USA | Made in Taiwan

© Copyright 2019 Arkon Resources, Inc.